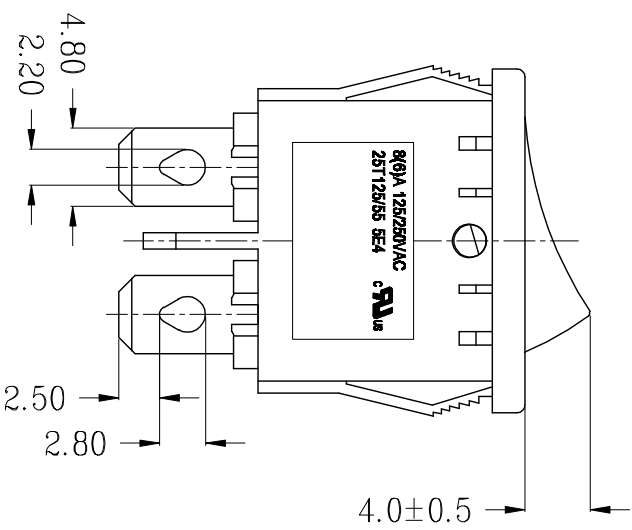
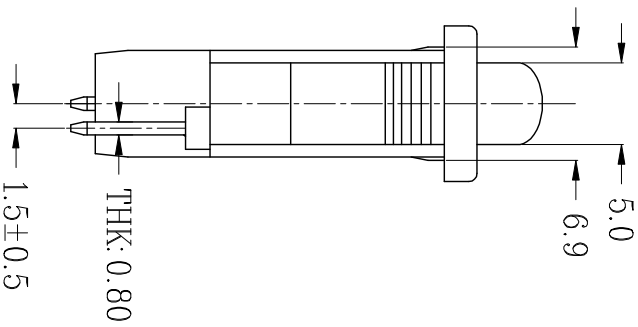
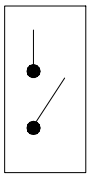


- 1, FUNCTION: OFF-ON
- 2, RATING: UL: 8(6)A 125/250VAC 25T125/55 5E4  
TUV/CE/CQC: 8/128A 250VAC T105  
ENEC VDE: 6(4)A 250VAC T105/55 12A 125VAC  
KC: 10(4)A 250V~ T105/55
- 3, OPERATION FORCE: 650±350gf
- 4, CONTACT RESISTANCE: ≤ 50 mΩ
- 5, INSULATION RESISTANCE: ≥ 100 MΩ
- 6, DIELECTRIC WITHSTAND: TERMINAL TO BUTTON 3000VAC/5mA/1MIN/TUE  
TERMINAL TO TERMINAL 1500VAC/5mA/1MIN/TUE
- 7, CIRCUIT DIAGRAM:



8, SUGGESTED PANEL HOLE SIZE:

PANEL THICKNESS	DIM. X
0.75-1.25	19.2/19.1
1.25-2.0	19.4/19.3
2.0-3.0	19.8/19.7

